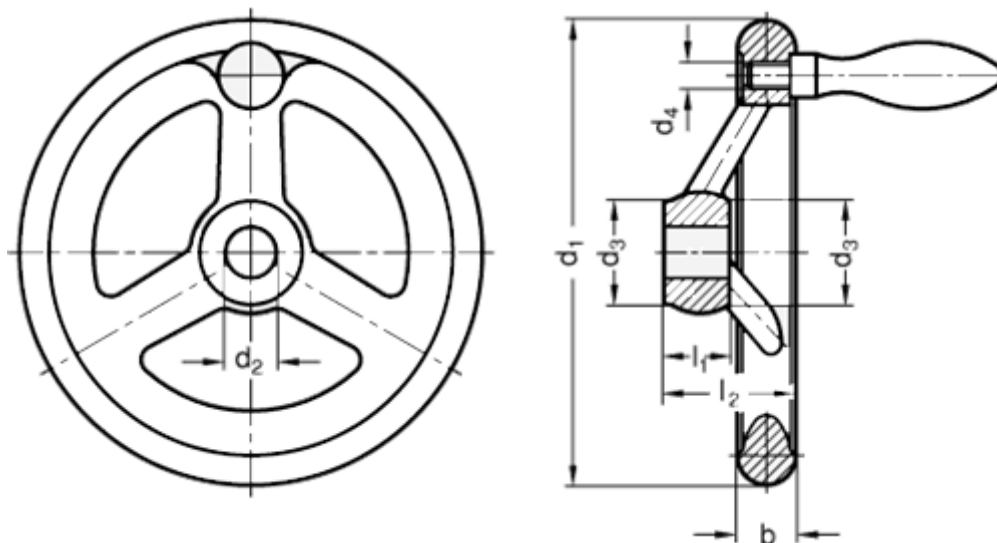


Article number: 201578332

Description: E+G Handwheel
GN 950.6-200-B18-F

Measures



$b_1 = 20.0$

$d_1 = 200$

$d_2 = 18$

$d_3 = 37.0$

$d_4 = M10$

$l_1 = 24$

$l_2 = 44.5$